



# STILETTO-II LED GARDEN SPOTLIGHT



**Quick and easy installation. Plug in and light up.**



**The Stiletto-II Garden Spotlight features a hooded head to individually focus and illuminate garden shrubs, trees and ornaments in your garden and for highlighting paths or driveways.**

**Each light is fitted with a swivel joint to direct light where needed and a garden stake for easy mounting and installation.**

Adjustable head allows 90° Tilt

IP44 weather resistant rating for outdoor use

Durable diecast aluminium housing with tempered glass lens.

Easy DIY installation using quick connectors and 40cm cable

5W 400lm 3000K MR16 globe included

Works with BrilliantSmart Garden Light Controller

Must be used with suitable 12V DC LED driver (Sold separately, see overleaf)

## APPLICATIONS

- Perfect for lighting up trees, bushes and more.
- Suitable for residential and commercial applications





# STILETTO-II LED GARDEN SPOTLIGHT

## TECHNICAL SPECIFICATIONS

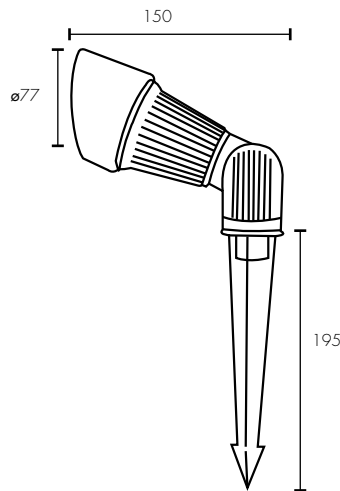
<b>Operating voltage:</b>	12V DC
<b>Class:</b>	Class III (3)
<b>Wattage:</b>	5W Max
<b>Base Type:</b>	MR16
<b>Lumens:</b>	400 Total Lumens
<b>Colour temperature</b>	3000K Warm White
<b>Dimmable:</b>	No
<b>Construction:</b>	Diecast aluminium
<b>Ingress protection:</b>	IP44 rated
<b>Warranty:</b>	2 year replacement
<b>Standards:</b>	AS/NZS 60598.1



## INSTALLATION

Do-It-Yourself

## ACCESSORIES (sold separately)

<b>Flat Cable:</b>	5m: 21638/06 10m: 19918/06,
<b>2-Way Splitter (Flat cable required)</b>	19919/06
<b>Transformers: (Flat cable required)</b>	24W: 19915/06 36W: 19916/06 60W: 19917/06
<b>Controllers: (Flat cable required)</b>	Smart WiFi: 20701/06 Dusk-To-Dawn: 21636/06



	MODEL	COLOUR	DESCRIPTION	BOX SIZE	GROSS WEIGHT	BOX QTY	BARCODE/TUN
<b>RETAIL BOX</b>	21624/06	Black	Stiletto-II LED Garden Spotlight	W87 x H215 x D78 mm	0.40 kg	1 pc	 9 312641 216247 >
<b>OUTER CTN</b>	21624/06	Black	Stiletto-II LED Garden Spotlight				 19312641216244